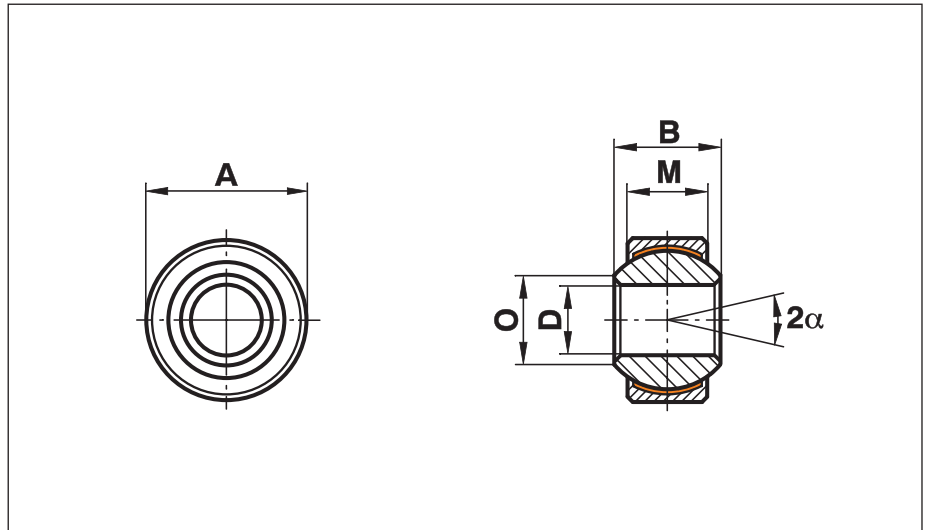


# Spherical Plain Bearings Motor Sport Maintenance Free

## Series GXSW..MS

Spherical Plain Bearings  
with smaller outside Ø,  
maintenance free.  
Preloaded bearing

For use at highest  
dynamic pressure and  
tension loads in corrosive  
environments



Description	DH7	B	M	A h6	O	static radial load C <sub>0</sub> kN	dynamic radial load C <sub>0</sub> kN	torque N/dm	α	weight g
GXSW 8.19 MS	8	12	9,00	19	10,4	27,8	20,8	1-10	14°	17
GXSW 10.22 MS	10	14	10,50	22	12,9	39,0	28,1	2-14	13°	26
GXSW 12.26 MS	12	16	12,00	26	15,4	53,5	38,4	6-18	13°	41
GXSW 14.29 MS	14	19	13,50	29	16,8	70,0	50,5	6-20	16°	56
GXSW 16.32 MS	16	21	15,00	32	19,3	88,0	63,0	8-22	15°	75
GXSW 18.35 MS	18	23	16,50	35	21,8	106,5	76,5	8-22	15°	97
GXSW 20.40 MS	20	25	18,00	40	24,3	130,0	93,5	8-25	14°	142

## Materials:

- Insert:** Stainless steel to 1.4571, Aisi 316Ti with PTFE liner bonded to the inner surface
- Ball:** Bearing steel to 100Cr6, Aisi 52100, hardened, ground, polished, hard chrome plated on the running surface
- Clearance:** preloaded, zero tolerance
- On request:**
- Ball made from stainless steel to 1.4034, Aisi 420C, hardened, ground, polished
  - with V-Groove on both sides
  - with threaded bolt

V-Groove and caulking tool for mounting can be ordered from Fluro®.

